



*Nessen*

NT603 Solid brass table lamp

**NT603** solid brass table lamp

Solid brass construction. 6-½” diameter base.  
White perforated top disc for down-light.  
Full range dimmer switch on medium base socket controls one lamp.  
100W max. Bulb not included; can be ordered separately.  
UL listed, CSA approved.

**Metal Finishes:**

Polished Brass, Brushed Brass, Antique Brass, Dark Antique Brass,  
Polished Chrome, Satin Chrome, Polished Nickel, Satin Nickel

**Optional Painted Finish:**

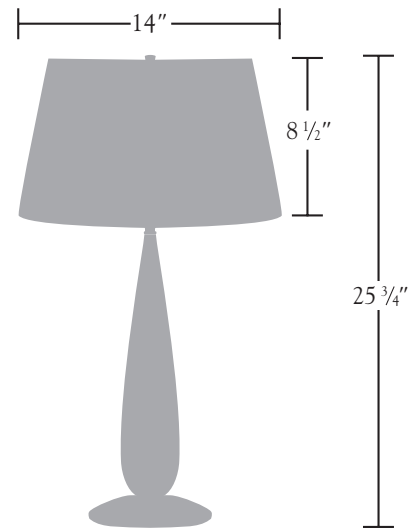
Black Gloss, Light Bronze, Metallic Copper, Chiffon Yellow, Dark  
Teal, Emerald Green, Federal Blue, Fresh Crème, Matte Black,  
Metallic Grey, Red Clay, Red Garnet, Racing Red, Summer Blue,  
Sandbar Tan, White Gloss

**Shades:**

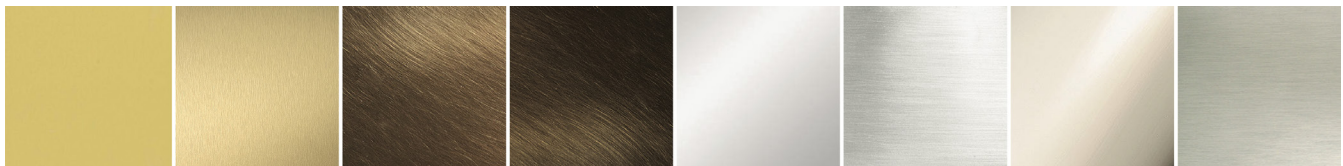
White Silk, White Rice Paper

**Shade Dimensions:**

B 14”, T 11”, H 8-½”



NT603  
NT653



Polished Brass

Brushed Brass

Antique Brass

Dark Antique Brass

Polished Chrome

Satin Chrome

Polished Nickel

Satin Nickel

For modifications and special contract orders, visit [www.nessenlighting.com](http://www.nessenlighting.com)