



Nessen

NT255 18" Solid brass reading lamp

NT255 solid brass reading lamp

Solid brass construction.
1-1/8" diameter arm.
Two LED modules output 1080 lumens, using 12W.
Controlled by separate wall switch.
3000K warm white color temperature at 85 CRI.
White frosted, 20° angled beam diffuser film.
Energy Star efficient.

Metal Finishes:

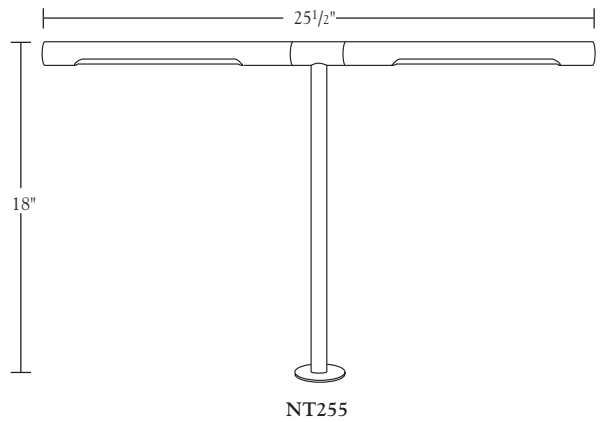
Polished Brass, Brushed Brass, Antique Brass, Dark Antique Brass,
Polished Chrome, Satin Chrome, Polished Nickel, Satin Nickel

Optional Painted Finish:

Black Gloss, Light Bronze, Metallic Copper, Chiffon Yellow, Dark
Teal, Emerald Green, Federal Blue, Fresh Crème, Matte Black,
Metallic Grey, Red Clay, Red Garnet, Racing Red, Summer Blue,
Sandbar Tan, White Gloss

Options:

Global Plug Configurations



For modifications and special contract orders, visit www.nessenlighting.com