



Nessen

NT250 16" Solid brass task lamp

NT250 solid brass task lamp

Solid brass construction. 6" diameter base.
1-1/8" diameter arm.
Module outputs 540 lumens, using 6W.
3000K warm white color temperature at 85 CRI.
White frosted, 20° angled beam diffuser film.
LEED suitable. Energy Star efficient.

Metal Finishes:

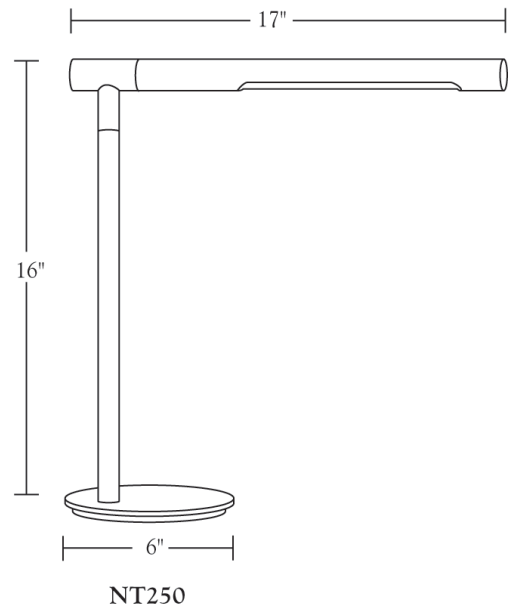
Polished Brass, Brushed Brass, Antique Brass, Dark Antique Brass,
Polished Chrome, Satin Chrome, Polished Nickel, Satin Nickel

Optional Painted Finish:

Black Gloss, Light Bronze, Metallic Copper, Chiffon Yellow, Dark
Teal, Emerald Green, Federal Blue, Fresh Crème, Matte Black,
Metallic Grey, Red Clay, Red Garnet, Racing Red, Summer Blue,
Sandbar Tan, White Gloss

Options:

Global Plug Configurations



For modifications and special contract orders, visit www.nessenlighting.com