

*Nessen*

NH290 Solid brass pendant

**NH290** solid brass pendant

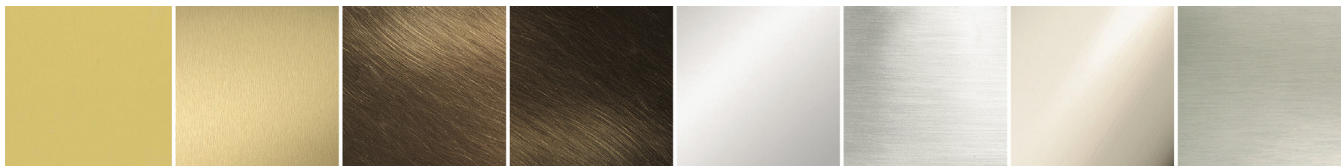
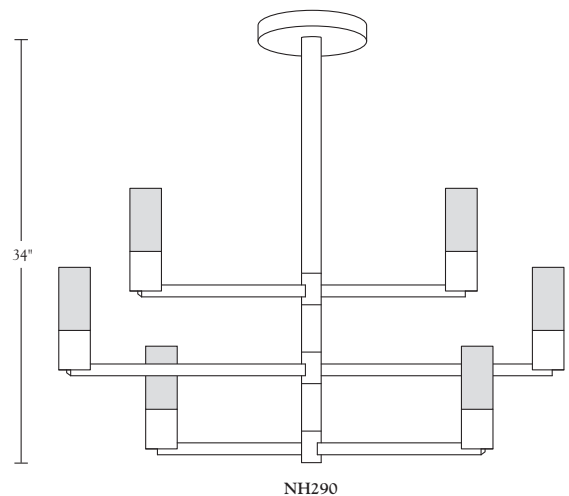
Solid brass construction. 10" diameter Canopy.  
Consists of 6 clear acrylic light tubes.  
Each module comprises a 6W LED board mounted on a proprietary heat sink (patent pending).  
The modules output 3312 lumens, using 36W.  
3000K warm white color temperature at 85 CRI. Submitted for ETL Listing.  
LEED suitable. Energy star efficient.

**Metal Finishes:**

Polished Brass, Brushed Brass, Antique Brass, Dark Antique Brass,  
Polished Chrome, Satin Chrome, Polished Nickel, Satin Nickel

**Optional Painted Finish:**

Black Gloss, Light Bronze, Metallic Copper, Chiffon Yellow, Dark Teal, Emerald Green, Federal Blue, Fresh Crème, Matte Black, Metallic Grey, Red Clay, Red Garnet, Racing Red, Summer Blue, Sandbar Tan, White Gloss



Polished Brass

Brushed Brass

Antique Brass

Dark Antique Brass

Polished Chrome

Satin Chrome

Polished Nickel

Satin Nickel

For modifications and special contract orders, visit [www.nessenlighting.com](http://www.nessenlighting.com)